

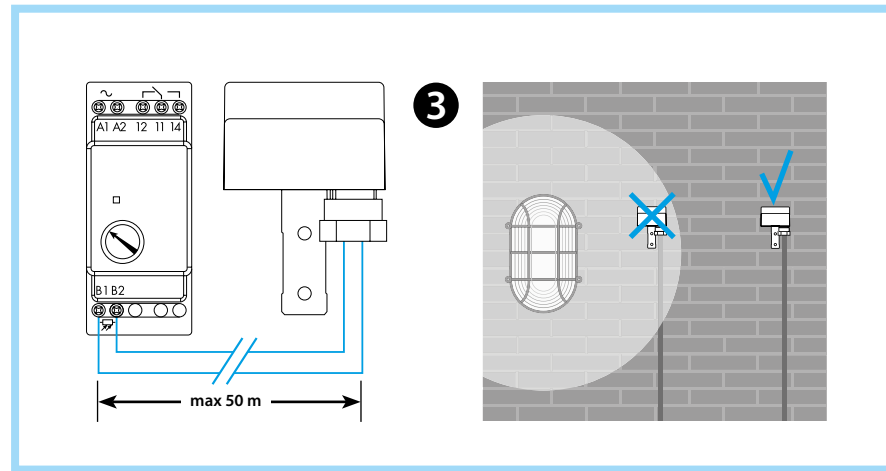
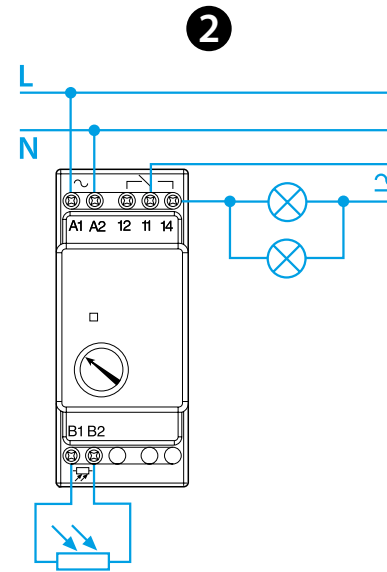
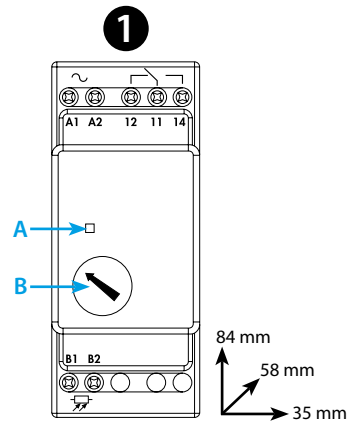


11.71

EN 60669-1 / EN 60669-2-1	
	11.71.0.012.1000 U_N 12 V AC (50/60 Hz) / DC U_{min} 9.6 V AC/DC U_{max} 13.2 V AC/DC
	11.71.0.024.1000 U_N 24 V AC (50/60 Hz) / DC U_{min} 19.2 V AC/DC U_{max} 33.6 V AC/DC
	11.71.8.125.0000 U_N (110...125)V AC (50/60 Hz) U_{min} 88 V AC U_{max} 130 V AC
	11.71.8.230.0000 U_N (230...240)V AC (50/60 Hz) U_{min} 184 V AC U_{max} 253 V AC
	1 CO (SPDT) 16 A 250 V AC μ AC1 4000 VA AC15 (230 V AC) 750 VA
IP20	

	(-20...+60)°C
	(230 V AC) 2000 W
	(230 V AC) 550 W
TON = 15 s	
TOFF = 25 s	

LED	U_N	
	-	11 - 12
	✓	11 - 12
	✓	11 - 12 ⌚
	✓	11 - 14



ENGLISH

11.71 MODULAR LIGHT DEPENDENT RELAY

1 FRONT VIEW

A LED

B Fine adjustment of switching threshold

ON threshold (1...100)lx

OFF threshold (2...150)lx

2 WIRING DIAGRAM

3 The photocell must be installed vertically in a place where it can be activated by sunlight only.

Avoid light interferences due, for example, to car beams, neon signs etc.

The relay has to be installed in protected panels.

011.00 - Photosensor IP54. Cable: \varnothing (7.5...9) mm

- Cable suggested: H05VVF-F 2x1.5 mm²

Maximum cable length relay to light sensor: 50 m. (2x1.5 mm²).

NOTE

(FOR 11.71.0.012.1000 - 11.71.0.024.1000 VERSION ONLY)

A SELV voltage power supply (for example an extra-low voltage safety transformer) should be used.

It should be connected using a protecting fuse (5x20) 500 mA type.

OTHER DATA

35 mm rail mount (EN 60715)