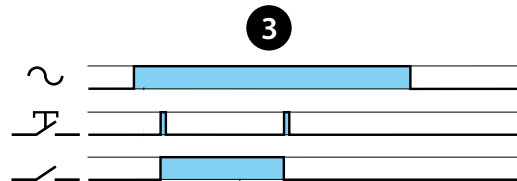
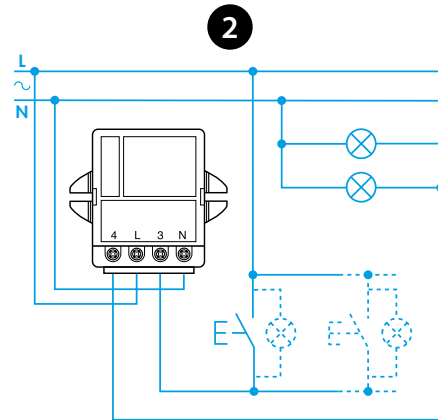
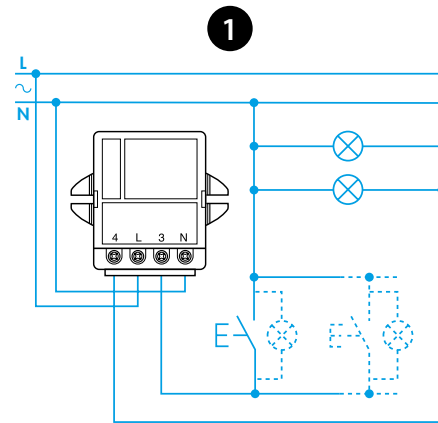
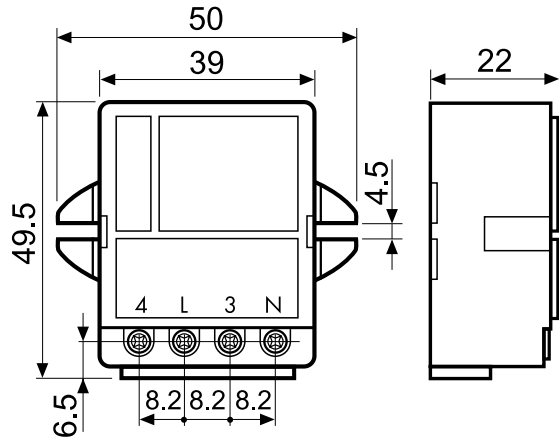


13.71

	13.71.8.230.0000 U_N 230 V AC (50/60 Hz) U_{min} 195.5 V AC U_{max} 264.5 V AC
	1 NO (SPST-NO) 10 A 230 V AC μ (230 V AC) 1000 W (230 V AC) 350 W
	(-10...+60)°C
IP20	
	15 (1.0 mA)



ENGLISH

13.71 ELECTRONIC STEP RELAYS

- 1** 3 WIRE CONNECTION DIAGRAM
- 2** 4 WIRE CONNECTION DIAGRAM
- 3** FUNCTION
RI - Step relay

NOTE

ATTENTION: fix the relay with \varnothing 4 mm screws