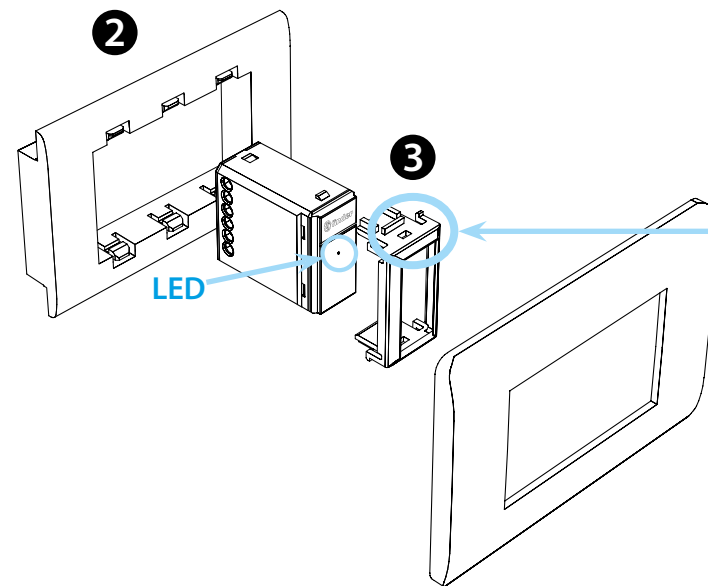
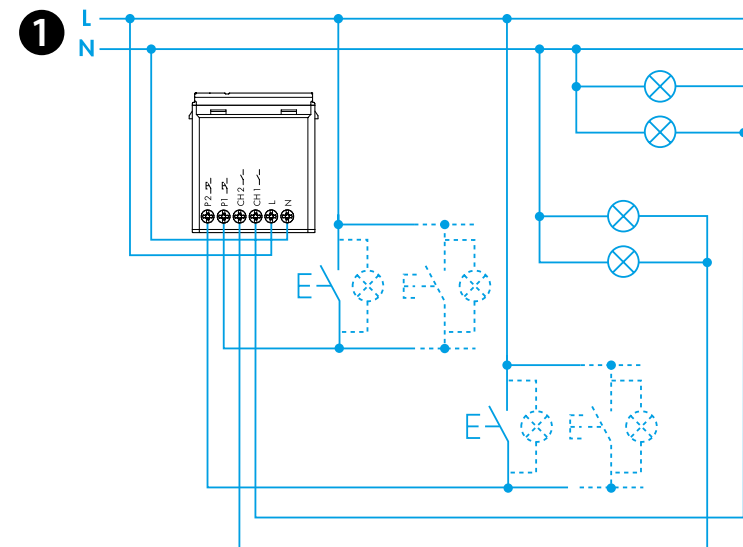




13.72

EN 60669-1/EN 60669-2-1									
	13.72.8.230.B00x U_N 110-230 V AC (50/60 Hz) U_{min} 96 V AC U_{max} 253 V AC P 2 VA (50 Hz)/0.5 W								
Ch1	<table border="1"> <tr> <td>110 V</td> <td>230 V</td> </tr> <tr> <td>100 W</td> <td>200 W</td> </tr> <tr> <td>100 W</td> <td>200 W</td> </tr> <tr> <td>100 W</td> <td>200 W</td> </tr> </table>	110 V	230 V	100 W	200 W	100 W	200 W	100 W	200 W
110 V		230 V							
100 W	200 W								
100 W	200 W								
100 W	200 W								
Ch2									
	(-10...+50)°C								
	5 (\leq 1 mA)								
IP20									



3a

AV	Ave S44
BT1	Bticino Living – LivingLight LivingLight Tech – LivingLight Air
BT2	Bticino Axolute
GW	Gewiss – Bticino Matix
GW1	Gewiss System
SU	Simon Urmet Nea
VM1	Vimar Plana – Eikon-Arké
VM2	Vimar Idea

4

Download on the App Store

FINDER TOOLBOX

GET IT ON Google Play

ENGLISH

13.72.8.230.B000 MULTI-FUNCTION RELAY White
 13.72.8.230.B002 MULTI-FUNCTION RELAY Anthracite

- 1 WIRING DIAGRAM**
 Channel 1: Ch1 - push button 1 (P1)
 Channel 2: Ch2 - push button 2 (P2)
- 2 INSTALLATION**
 LED: ON when connected to the smartphone, during the programming
- 3 ADAPTOR**
 (See table 3a for compatible systems)
 Note that these trademarks and trade names are not the property of Finder SpA or any of its associated companies, and are referred to in this sheet for the purposes of technical information only.

- 4 FINDER TOOLBOX APPLICATION**
 With the Finder Toolbox App you can:
 - Set the functions, the Sequences and the timing (T1, T2) on the Ch1 - Ch2 channels
 - Associate the wireless button
 - Set the scenarios

- NOTE**
- Transmission range: approximately 10 m in free space and without obstacles
 - The transmission range may vary depending on the building structure
- Example:
- Reinforced concrete walls and/or metal walls
 - Partition walls filled with insulating wool on a metallic backing
 - Ceilings with metal or carbon fiber panels
 - Lead glass or glass with metal cladding, steel furniture

- 5 FUNCTIONS for single channel**
 The Ch1 and Ch2 channels are independent and can be set with different functions. Timings (T1, T2): from 1s to 24h.
 RI: factory pre-set function on both channels

- 6 FUNCTIONS using both channels**
 Switching sequences 02 to 08 work on both Ch1 and Ch2.
NOTE
 P1 (SET): leads to the next state
 P2 (RESET): leads to the initial state

