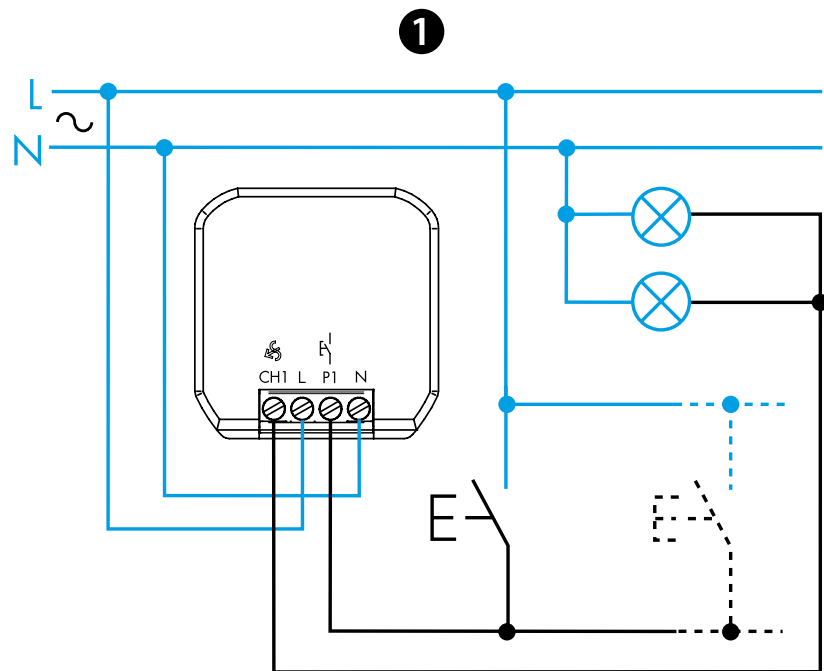




15.21

EN 60669-1 / EN 60669-2-1	
	15.21.8.230.B300 U _N 230 V AC (50/60 Hz) U _{min} 184 V AC U _{max} 253 V AC P 0,4 W
LED	150 W 230 V AC
	300 W 230 V AC
	300 W 230 V AC
	150 W 230 V AC
	300 W 230 V AC
	(-10...+50)°C



2

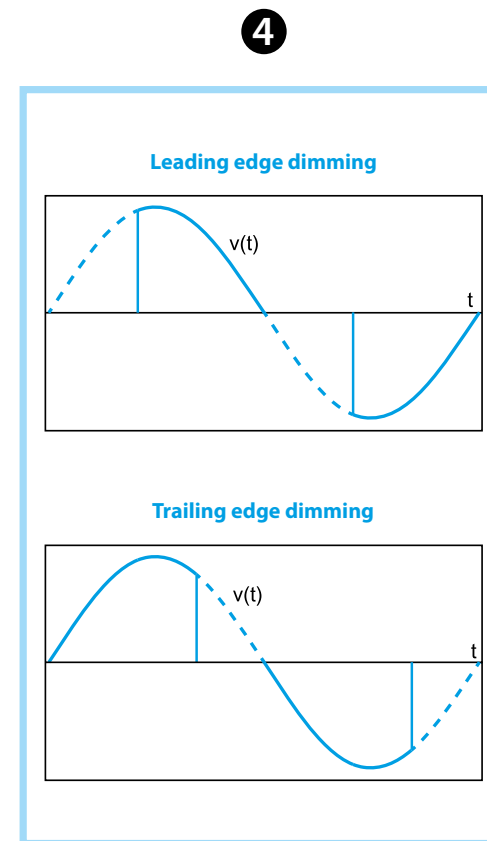
Bluetooth™

Download on the **App Store**

FINDER TOOLBOX

GET IT ON **Google Play**

		3	
A	B	C	D
LED	1* TE Trailing Edge		
	2 LE Leading Edge		
LED	3 TE Trailing Edge		
	4 LE Leading Edge		
	5 TE Trailing Edge		
	6 LE Leading Edge		
	7 LE Leading Edge		
AUTO	AUTOMATIC		



ENGLISH

15.21.8.230.B300 DIMMER BLUETOOTH

1 WIRING DIAGRAM

2 FINDER TOOLBOX

With the Finder Toolbox App you can:

- Set the desired function
- Adjust the minimum dimming level (range 5% - 60%)
- Adjust the ON/OFF transition time under short pulse command (0-3s)
- Adjust the speed of dimming under long pulse command (1s-16s)
- Set the Memory function
- Set the Restore after Blackout function
- Associate the wireless buttons
- Set the scenario transition time (1s-4s)

3 FUNCTIONS

*1 factory pre-set function.

A Type of connected load:

- LED (functions 1, 2, 3, 4)
- Halogen (functions 1, 2)
- Electronic power supplies (functions 1, 2)
- CFL (functions 5, 6)
- Electromechanical power supplies (function 7)

B Selectable function

C Regulation method: Trailing Edge - Leading Edge (see point 4)

D Regulation curve
(Linear: functions 1-2-7) (Exponential: functions 3-4-5-6)

NOTE

- **Without memory** function: each ON command results in the full brightness level being established
 - **With memory** function: at switch OFF the brightness level is memorised and with the subsequent ON command this level is restored
 - **Short pulse** command: switches alternately between ON and OFF status
 - **Long pulse** command: the light level will increase or decrease progressively, either linearly or exponentially, depending on the function chosen
 - Transmission range: approximately 10 m in free space and without obstacles
 - The transmission range may vary depending on the building structure
- Example:
- Reinforced concrete walls and/or metal walls
 - Partition walls filled with insulating wool on a metallic backing
 - Ceilings with metal or carbon fiber panels
 - Lead glass or glass with metal cladding, steel furniture

