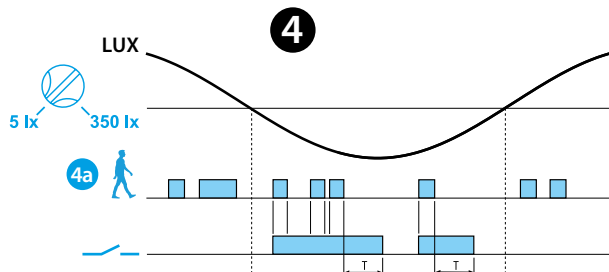
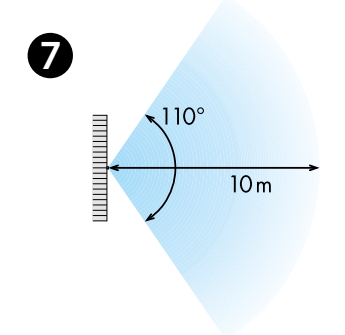
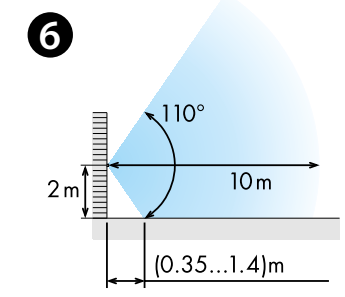
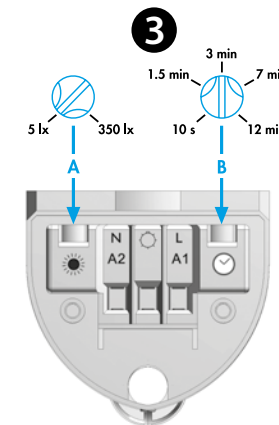
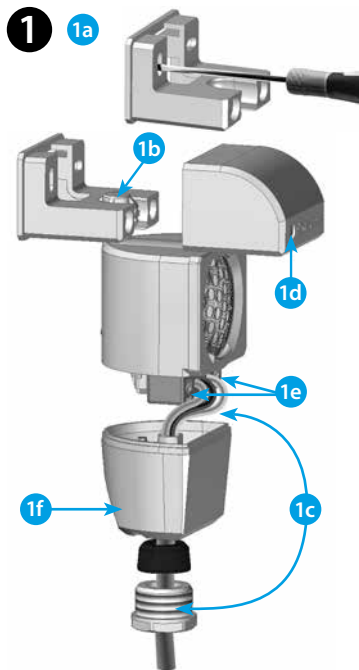
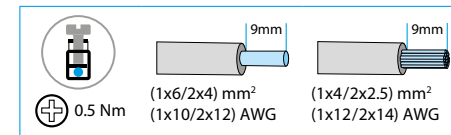
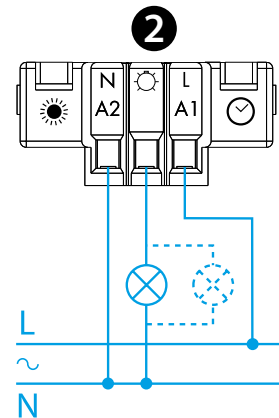




18.11

EN 60669-1 / EN 60669-2-1			
	18.11.8.230.0000 U _N (120...230) V AC (50/60)Hz U _{min} - U _{max} 96 V AC - 253 V AC P 2.5 VA (50 Hz)		
	1 NO (SPST-NO) 10 A 120 V AC μ	1 NO (SPST-NO) 10 A 230 V AC μ	
	AC1 2300 VA AC15 (120 V AC) 250 VA	AC1 2300 VA AC15 (230 V AC) 450 VA	
	(120 V AC) 500 W (120 V AC) 200 W CFL-LED (120 V AC) 150 W	(230 V AC) 1000 W (230 V AC) 350 W CFL-LED (230 V AC) 300 W	
	(-30...+50)°C		
IP54			



ENGLISH

18.11 PIR DETECTOR FOR EXTERNAL INSTALLATIONS

- 1 INSTALLATION SEQUENCE**
- 1a Fix bracket
 - 1b Slide sensor into bracket and secure cover
 - 1c Pass cable through sensor body and terminate **2**
 - 1d Adjust sensor to required position and lock by tightening screw
 - 1e Adjust settings
 - 1f Secure terminal cover using screws

2 CONNECTION DIAGRAM

- 3 SETTINGS**
- A ambient light intervention threshold (5...350)lx (350 lx = always ON (∞ lx))
 - B output on-pulse time (10s...12min)

4 FUNCTION CHART

- 4a Detection of movement
- Output Contact

5 MOUNTING AND ORIENTATION

- 6 SIDE VIEW**
(wall mounting - sensing area)

- 7 PLAN VIEW**
(wall mounting - sensing area)

NOTE
Following the initial power-on, and power-on following a power interruption, the detector makes a hardware-software initialisation for approximately 30 seconds