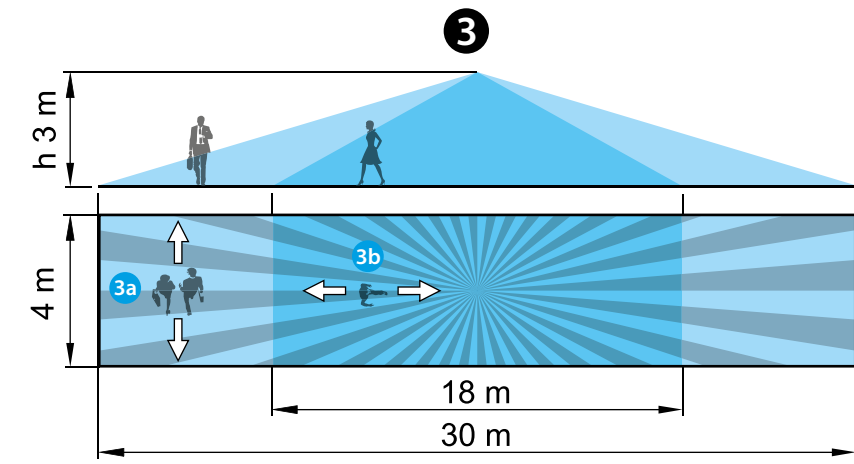
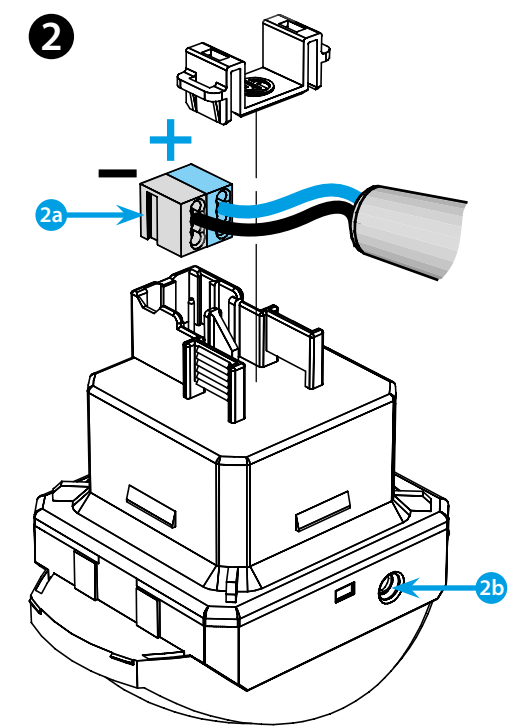
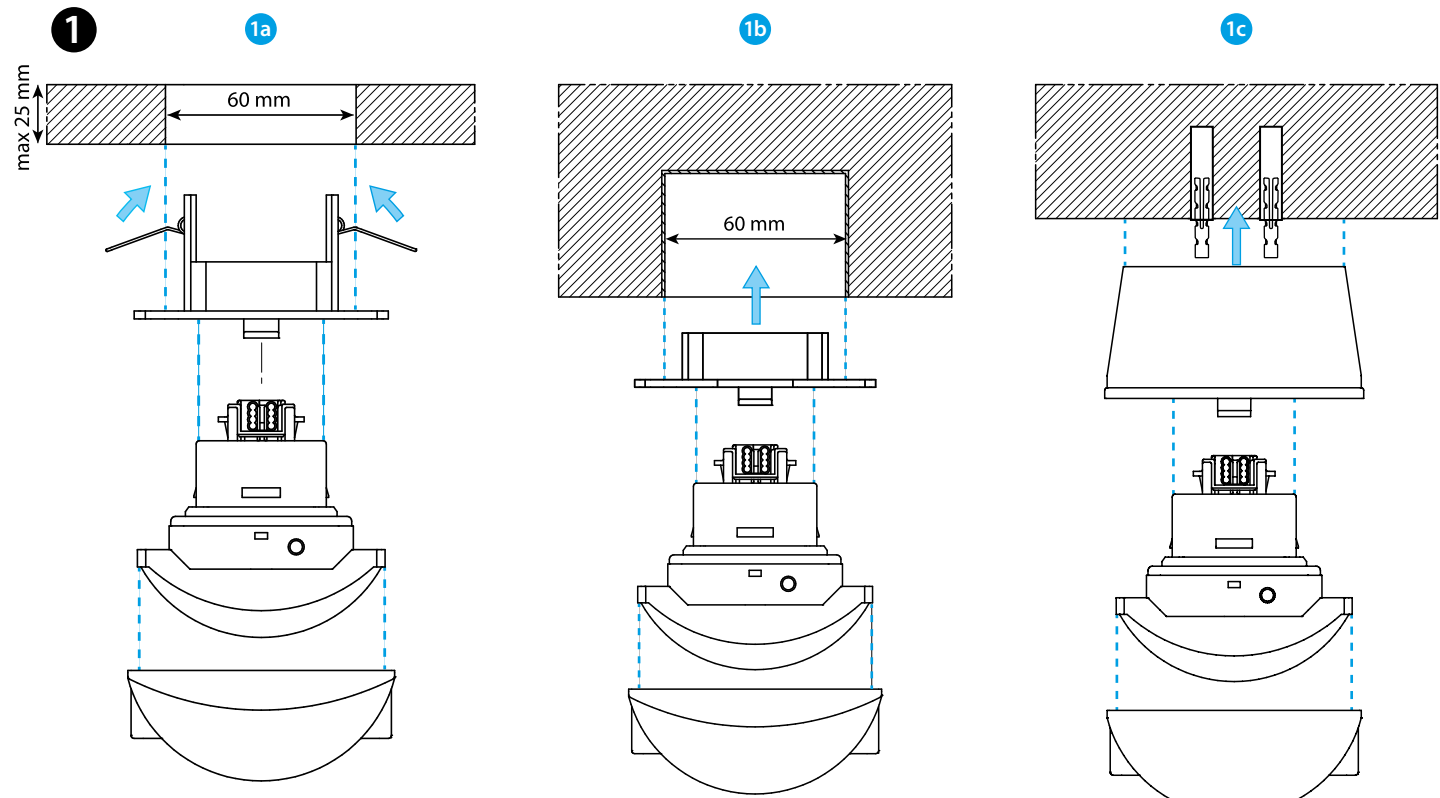




18.4K

18.4K.9.030.0000	
IN	BUS KNX 29 V DC (21...32 V DC) SELV
	(-5...+45)°C
IP40	



ENGLISH

18.4K.9.030.0000
PIR MOVEMENT AND PRESENCE DETECTOR KNX BUS

- 1 INSTALLATION**
 - 1a Suspended ceiling mounting
 - 1b Recess mounting
 - 1c Surface mounting
- 2 WIRING DIAGRAM**
 - 2a KNX BUS supply
 - 2b KNX programming button
- 3 SENSING AREA**
 - Sensing area (h= 3 m):
30m length – 4m width
 - 3a Tangential movement
 - 3b Radial movement

NOTE

- The product shall not be used for safety functions
- Environmental class according to EN 50491-2: Weather protected in uncontrolled conditions, temperature -25...+55 °C
- Verify the correct address of the device and the setting parameters via ETS software
- EN 60669-1 / EN 60669-2-1 / EN 50491
- IP40

