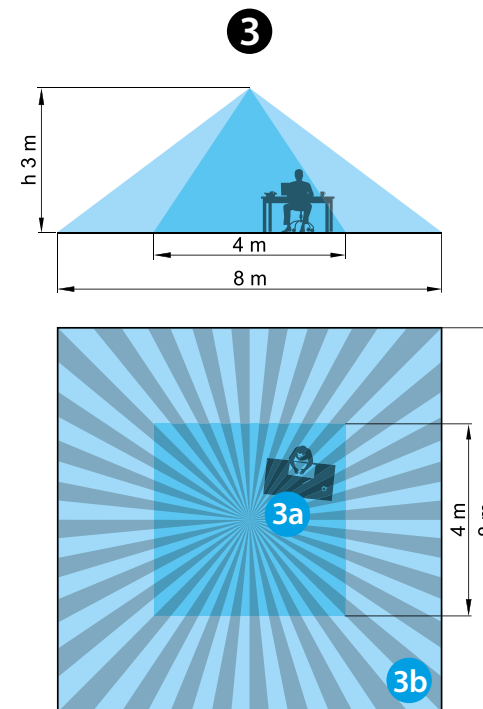
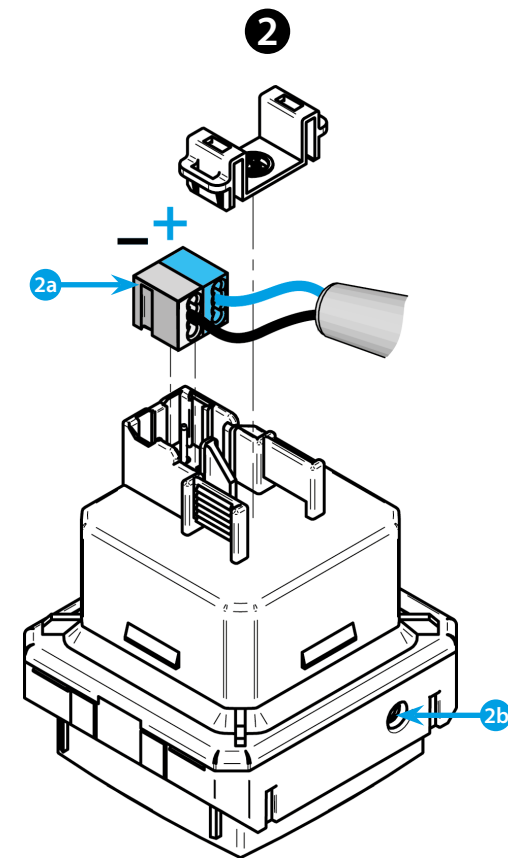
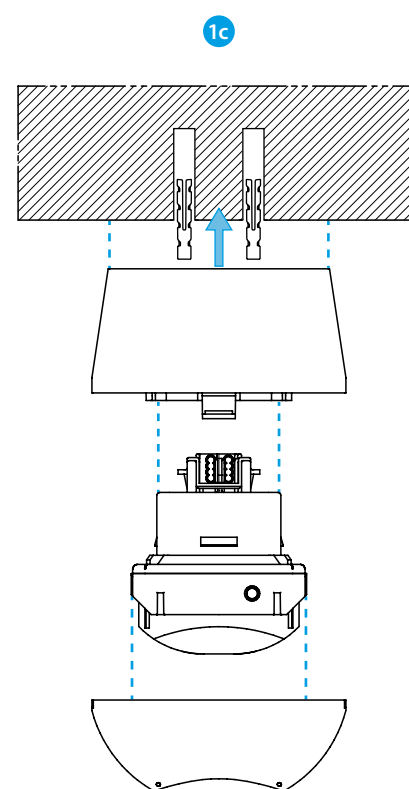
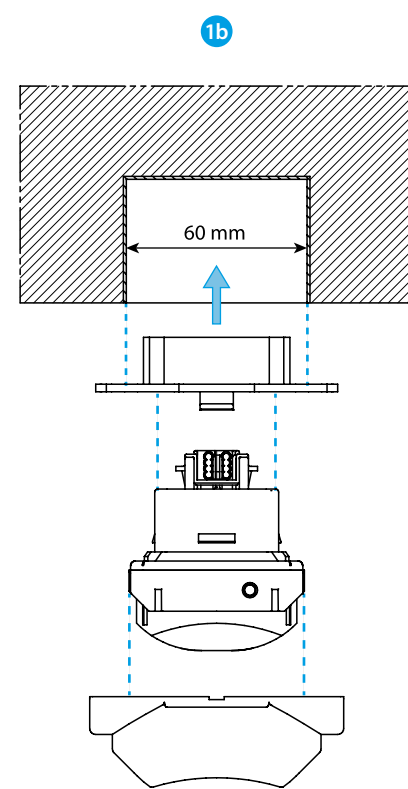
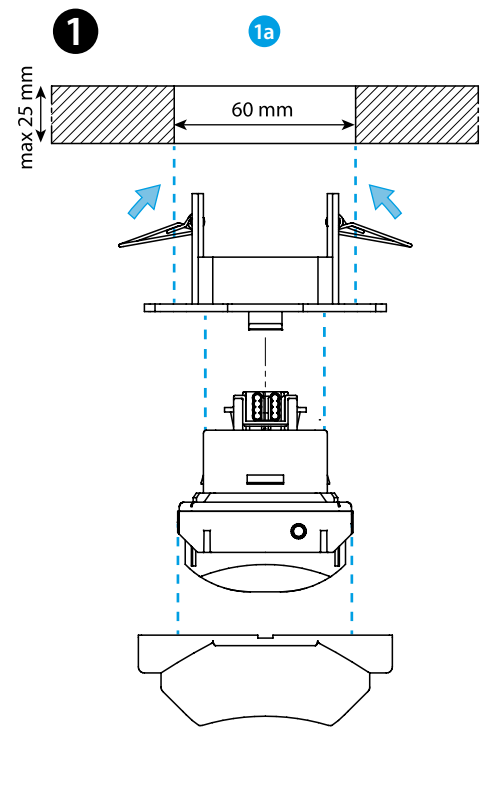




18.5K

18.5K.9.030.0000	
IN	BUS KNX 29 V DC (21...32 V DC) SELV
	(-5...+45)°C
IP40	



ENGLISH

18.5K.9.030.0000
PIR MOVEMENT AND PRESENCE DETECTOR KNX BUS

- 1 INSTALLATION**
1a Suspended ceiling mounting
1b Recess mounting
1c Surface mounting
- 2 WIRING DIAGRAM**
2a KNX BUS supply
2b KNX programming button

- 3 SENSING AREA**
 Two detection zones (at 3 m height):
3a Presence (micro-movements): (4x4)m
3b Movement: (8x8)m

NOTE

- The product shall not be used for safety functions
- Environmental class according to EN 50491-2: Weather protected in uncontrolled conditions, temperature -25...+55 °C
- Verify the correct address of the device and the setting parameters via ETS software
- EN 60669-1 / EN 60669-2-1 / EN 50491
- IP40