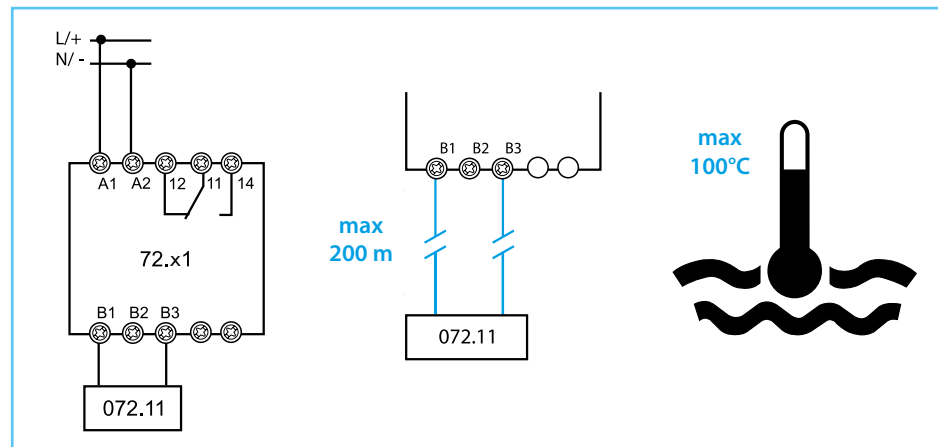
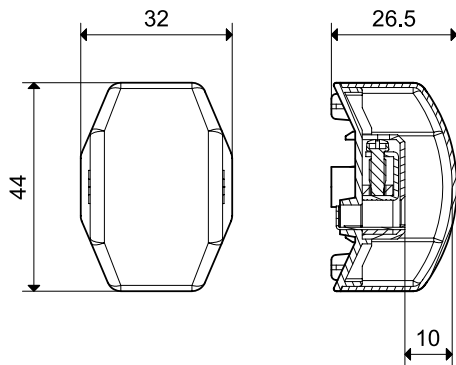
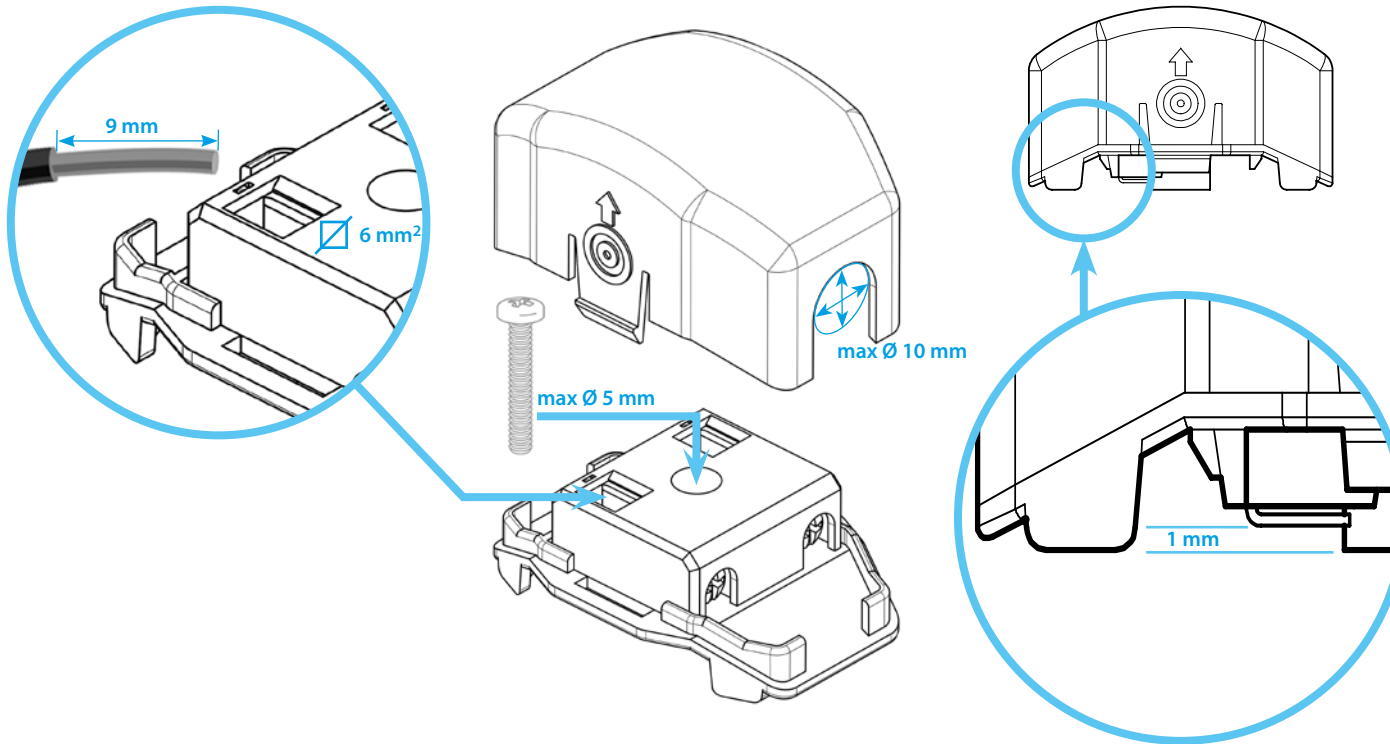




**072.11**



# ENGLISH

## 072.11 FLOOR WATER SENSOR

Designed for the detection and reporting of the presence of floor surface water

- Wire strip length 9 mm
- Distance between electrodes and floor 1 mm
- Floor fixing screw diameter Maximum M5
- Maximum cable diameter 10 mm
- Maximum length of cable connecting sensor to relay 200 m (100nF/Km)
- Max. liquid temperature +100°C

### WARNING

Floor surface water sensor for connection to electrode terminals (B1 and B3) of 72.01 or 72.11 level control relay, set in Emptying function (ES or E respectively). For applications in refrigeration units is suggested the type 72.01.8.230.0002 (sensitivity range 5...450kOhm).