

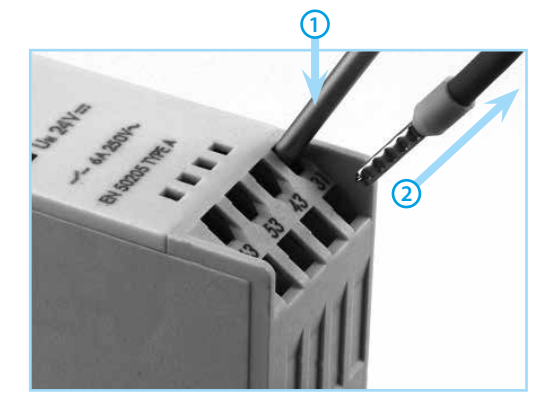
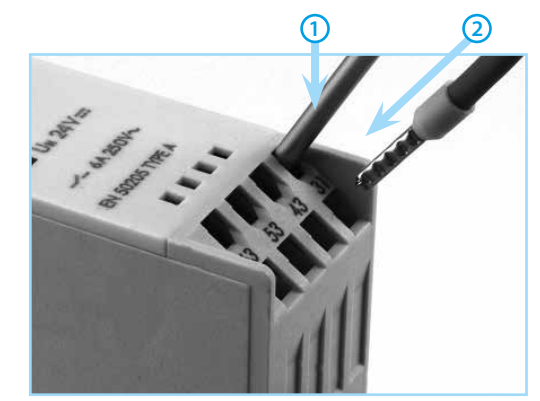
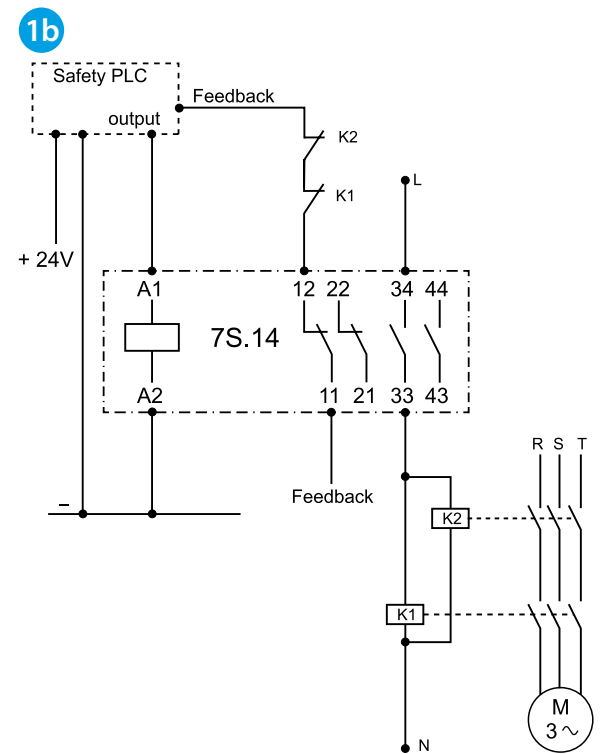
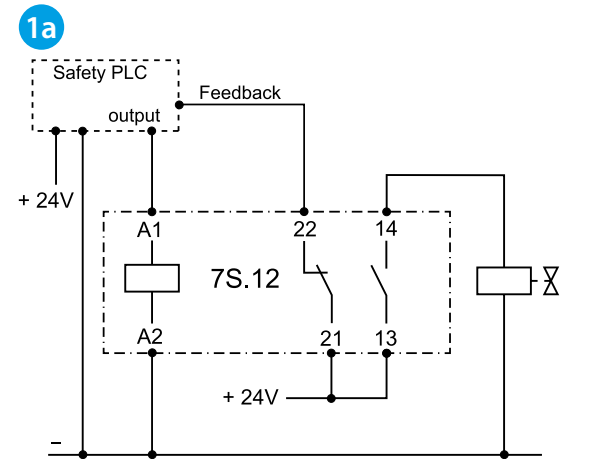
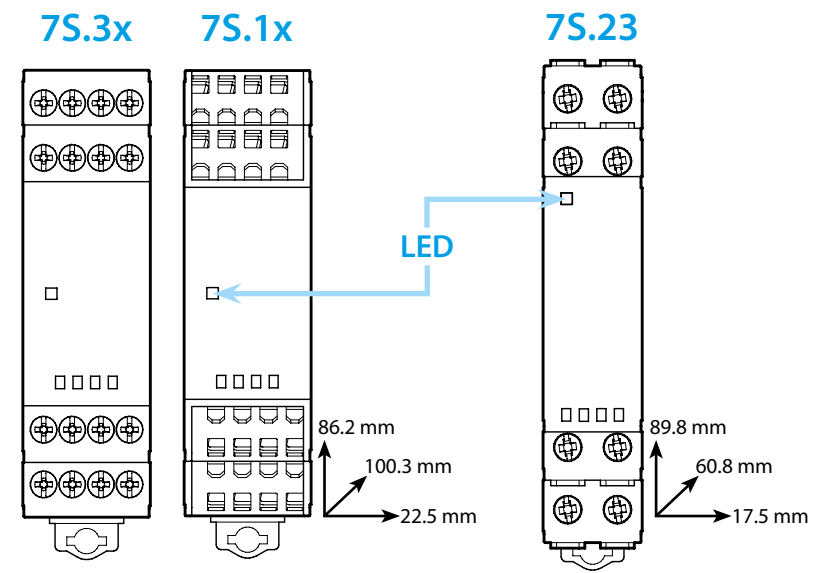
7S.xx

7S.23



	7S.xx.8.xxx.xxx0 230 U _{min} - U _{max} (195...264)V AC 120 U _{min} - U _{max} (93.5...137.5)V AC	7S.xx.9.xxx.xxx0 012 U _{min} - U _{max} (9.6...14.4)V DC 024 U _{min} - U _{max} (16.8...30)V DC 110 U _{min} - U _{max} (77...137.5)V DC	7S.23.9.xxx.0210 012 U _{min} - U _{max} (9.6...14.4)V DC 024 U _{min} - U _{max} (19.2...28.8)V DC 048 U _{min} - U _{max} (38.4...57.6)V DC 110 U _{min} - U _{max} (88...132)V DC
	P 2.3 VA (50 Hz) / 1 W		
6 A 250 V AC	10 A 250 V AC		
AC1	1500 VA	AC1	2500 VA
AC15 (230V)	700 VA	AC15 (230 V)	500 VA
DC1 (30/110/220V)	(6/0.6/0.2) A [7S.x2]	DC1 (30/110/220V)	(6/0.6/0.2)A
	(6/0.9/0.3) A		-----
DC13 (24V)	1 A [7S.x2]	DC13 (24 V)	1 A
	3 A [7S.x4]		
	5 A [7S.x6]		
(-40...+70)°C	IP20		

EN 61810-3 TYPE A



<p>7SX2...5110</p>	<p>7Sx4...4220</p>	<p>7Sx4...4310</p>
<p>7Sx6...5420</p>	<p>7S23</p>	

	9mm	9mm
	1x6 / 2x2.5 mm ² 1x10 / 2x14 AWG	1x4 / 2x2.5 mm ² 1x12 / 2x14 AWG
	1x1.5 mm ² 1x14 AWG	1x1.5 mm ² 1x16 AWG