

7S  
Moduł przekaźnikowy z mechanicznie sprzężonymi zestykami

1a Przełączenie diagnostyki obecności napięcia ładunku  
1b Przełącznik rozłączania i dostosowywania napięcia zasilania

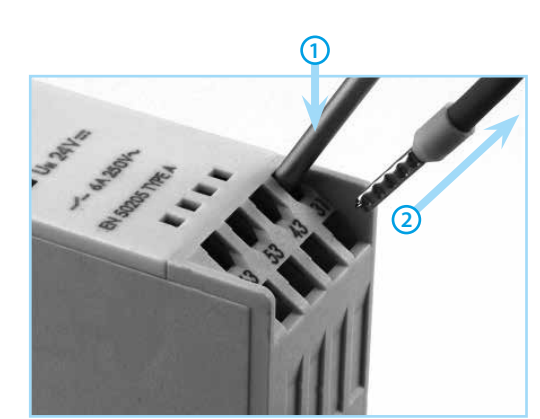
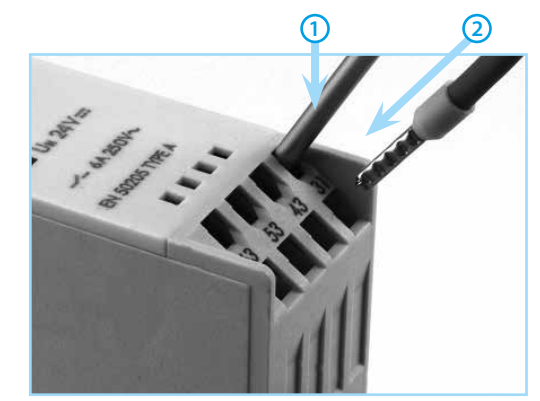
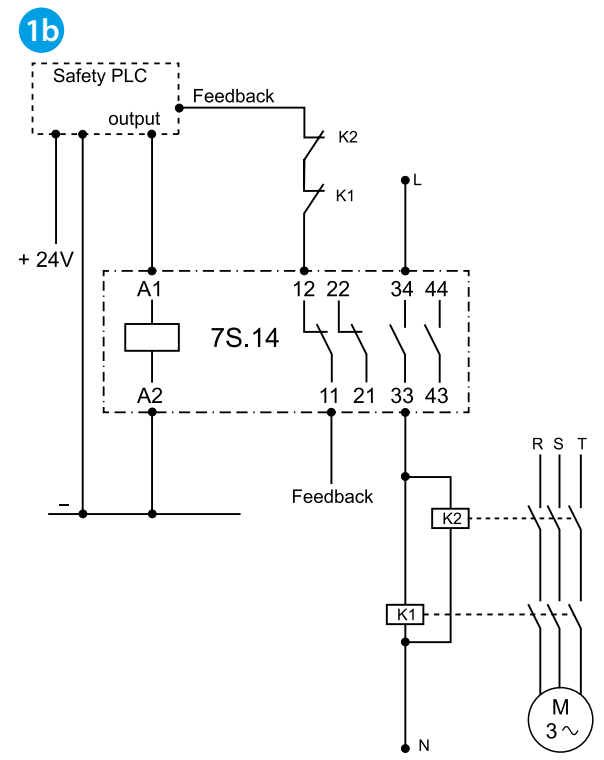
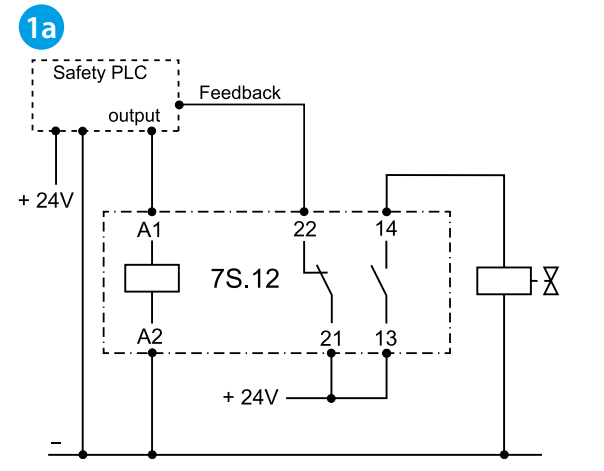
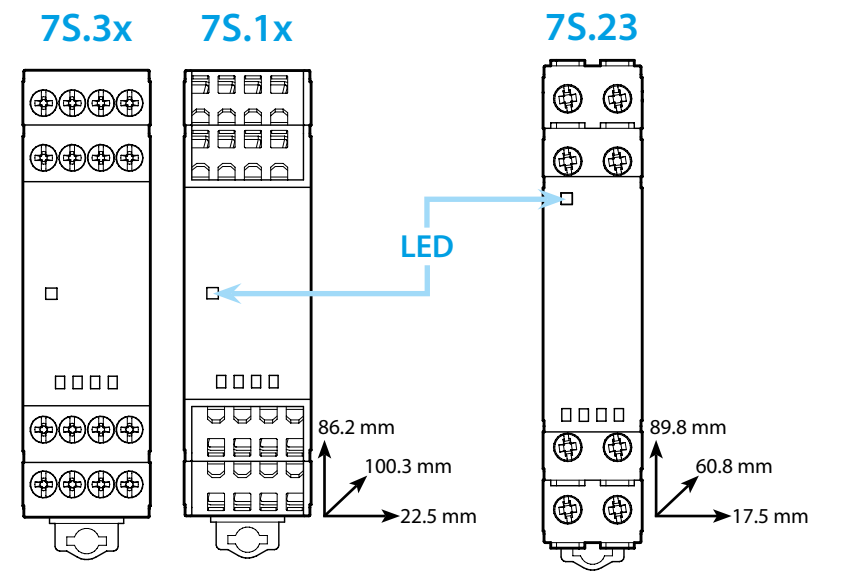
7S.xx

7S.23



	<b>7S.xx.8.xxx.xxx0</b> 230 U <sub>min</sub> - U <sub>max</sub> (195...264)V AC 120 U <sub>min</sub> - U <sub>max</sub> (93.5...137.5)V AC	<b>7S.xx.9.xxx.xxx0</b> 012 U <sub>min</sub> - U <sub>max</sub> (9.6...14.4)V DC 024 U <sub>min</sub> - U <sub>max</sub> (16.8...30)V DC 110 U <sub>min</sub> - U <sub>max</sub> (77...137.5)V DC	<b>7S.23.9.xxx.0210</b> 012 U <sub>min</sub> - U <sub>max</sub> (9.6...14.4)V DC 024 U <sub>min</sub> - U <sub>max</sub> (19.2...28.8)V DC 048 U <sub>min</sub> - U <sub>max</sub> (38.4...57.6)V DC 110 U <sub>min</sub> - U <sub>max</sub> (88...132)V DC
	P 2.3 VA (50 Hz) / 1 W		
6 A 250 V AC		10 A 250 V AC	
AC1 1500 VA AC15 (230V) 700 VA DC1 (30/110/220V) (6/0.6/0.2) A [7S.x2] DC13 (24V) 1 A [7S.x2] 3 A [7S.x4] 5 A [7S.x6]		AC1 2500 VA AC15 (230 V) 500 VA DC1 (30/110/220V) (6/0.6/0.2)A DC13 (24 V) 1 A	
(-40...+70)°C			
IP20			

EN 61810-3 TYPE A



	9mm	9mm
	1x6 / 2x2.5 mm <sup>2</sup> 1x10 / 2x14 AWG	1x4 / 2x2.5 mm <sup>2</sup> 1x12 / 2x14 AWG
	1x1.5 mm <sup>2</sup> 1x14 AWG	1x1.5 mm <sup>2</sup> 1x16 AWG

<p><b>7SX2...5110</b></p> <p>A1 14 22 A2 13 21</p> <table border="1"> <tr><td>21</td><td>22</td><td>14</td><td>13</td></tr> <tr><td colspan="4"> </td></tr> <tr><td colspan="4"> </td></tr> <tr><td colspan="4"> </td></tr> <tr><td>A1</td><td>A1</td><td>A2</td><td>A2</td></tr> </table>	21	22	14	13													A1	A1	A2	A2	<p><b>7Sx4...4220</b></p> <p>A1 12 22 34 44 A2 11 21 33 43</p> <table border="1"> <tr><td>43</td><td>44</td><td>21</td><td>22</td></tr> <tr><td colspan="4"> </td></tr> <tr><td colspan="4"> </td></tr> <tr><td colspan="4"> </td></tr> <tr><td>33</td><td>34</td><td>11</td><td>12</td></tr> <tr><td>A1</td><td>A1</td><td>A2</td><td>A2</td></tr> </table>	43	44	21	22													33	34	11	12	A1	A1	A2	A2	<p><b>7Sx4...4310</b></p> <p>A1 12 24 34 44 A2 11 23 33 43</p> <table border="1"> <tr><td>43</td><td>44</td><td>23</td><td>24</td></tr> <tr><td colspan="4"> </td></tr> <tr><td colspan="4"> </td></tr> <tr><td colspan="4"> </td></tr> <tr><td>33</td><td>34</td><td>11</td><td>12</td></tr> <tr><td>A1</td><td>A1</td><td>A2</td><td>A2</td></tr> </table>	43	44	23	24													33	34	11	12	A1	A1	A2	A2
21	22	14	13																																																																			
A1	A1	A2	A2																																																																			
43	44	21	22																																																																			
33	34	11	12																																																																			
A1	A1	A2	A2																																																																			
43	44	23	24																																																																			
33	34	11	12																																																																			
A1	A1	A2	A2																																																																			
<p><b>7Sx6...5420</b></p> <p>A1 12 22 34 44 54 64 A2 11 21 33 43 53 63</p> <table border="1"> <tr><td>21</td><td>22</td><td>11</td><td>12</td></tr> <tr><td>63</td><td>64</td><td>43</td><td>44</td></tr> <tr><td colspan="4"> </td></tr> <tr><td colspan="4"> </td></tr> <tr><td colspan="4"> </td></tr> <tr><td>53</td><td>54</td><td>33</td><td>34</td></tr> <tr><td>A1</td><td>A1</td><td>A2</td><td>A2</td></tr> </table>	21	22	11	12	63	64	43	44													53	54	33	34	A1	A1	A2	A2	<p><b>7S23</b></p> <p>A1 14 24 32 A2 13 23 31</p> <table border="1"> <tr><td>23</td><td>24</td></tr> <tr><td>13</td><td>14</td></tr> <tr><td colspan="2"> </td></tr> <tr><td colspan="2"> </td></tr> <tr><td>A1</td><td>A2</td></tr> <tr><td>31</td><td>32</td></tr> </table>	23	24	13	14					A1	A2	31	32																													
21	22	11	12																																																																			
63	64	43	44																																																																			
53	54	33	34																																																																			
A1	A1	A2	A2																																																																			
23	24																																																																					
13	14																																																																					
A1	A2																																																																					
31	32																																																																					